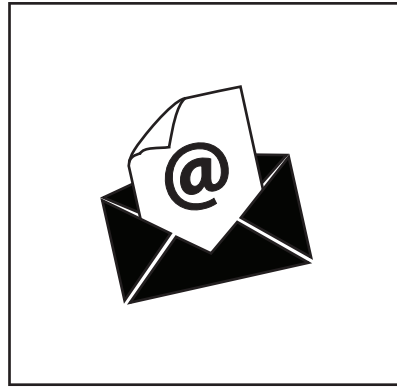
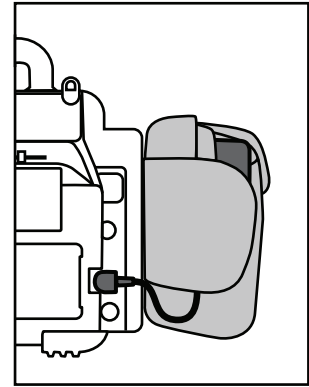


1



2



3

English

Getting Started Guide

Titan III Gateway for use with the LIFEPAK[®] 12 Defibrillator/Monitor and LIFEPAK 15 Monitor/Defibrillator.

1. Unpack the contents of the box containing the Titan III Gateway to ensure no damage occurred during shipping.
2. You will receive an email from a LIFENET[®] Implementation Project Manager to assist you with configuration of your Gateway.
If you do not receive an email, please contact your Stryker/Physio-Control Sales Representative.
3. Install Gateway with the LIFEPAK device as per instructions in the Gateway Placement Guide.

EU Declaration of Conformity

Hereby, Ositech Communications Inc. located at #5-430 Laird Road, Guelph, Ontario, Canada N1G 3X7, declares that the Titan III Gateway is in compliance with Directive 2014/53/EU.

The full text of the EU declaration of conformity is available at the following address.

<https://www.ositech.com/regulatory-titan-iii-gateway-eu-declaration-of-conformity/>